

## H085 Stainless Steel 316 Wing Handle Quarter-Turn

### Features

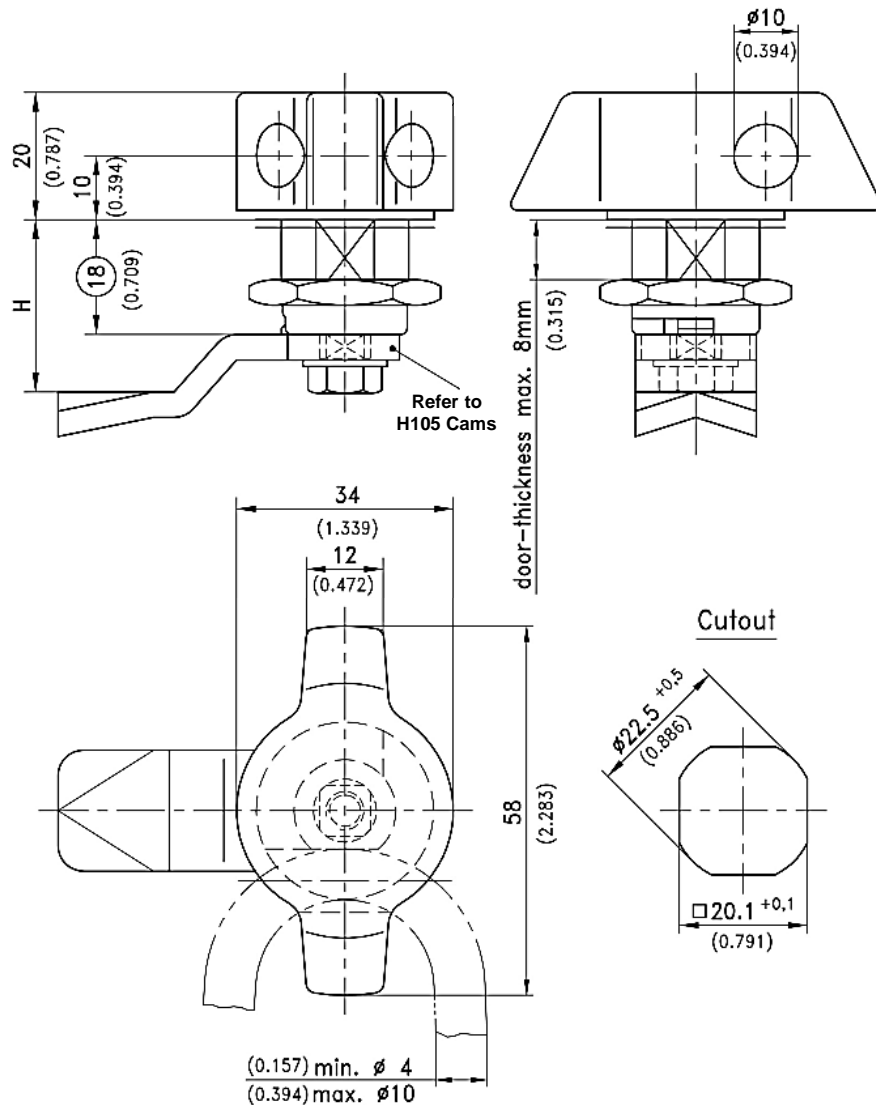
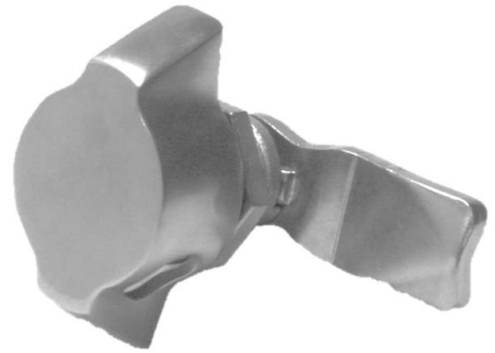
- Stainless steel 316 quarter-turn with wing for padlock
- RH or LH application
- Water- and dust-tight according to IP65/67 DIN EN 60529
- Quarter-turn consists of two basic components which can be combined to suit application
- Pre-assembled quarter-turn can be installed in the cutout
- Padlock feature only if cam is at 90° to the wing-handle
- Cam sold separately

### Material

- Handle: Stainless steel 316L, surface polished
- Housing and nut: Stainless steel

### Notes

- Maximum nut torque 15 N.m



Part No.	Latching Type	Housing Length	Max. Door Thickness
H085-C00-9375	Padlock	18 mm	8 mm

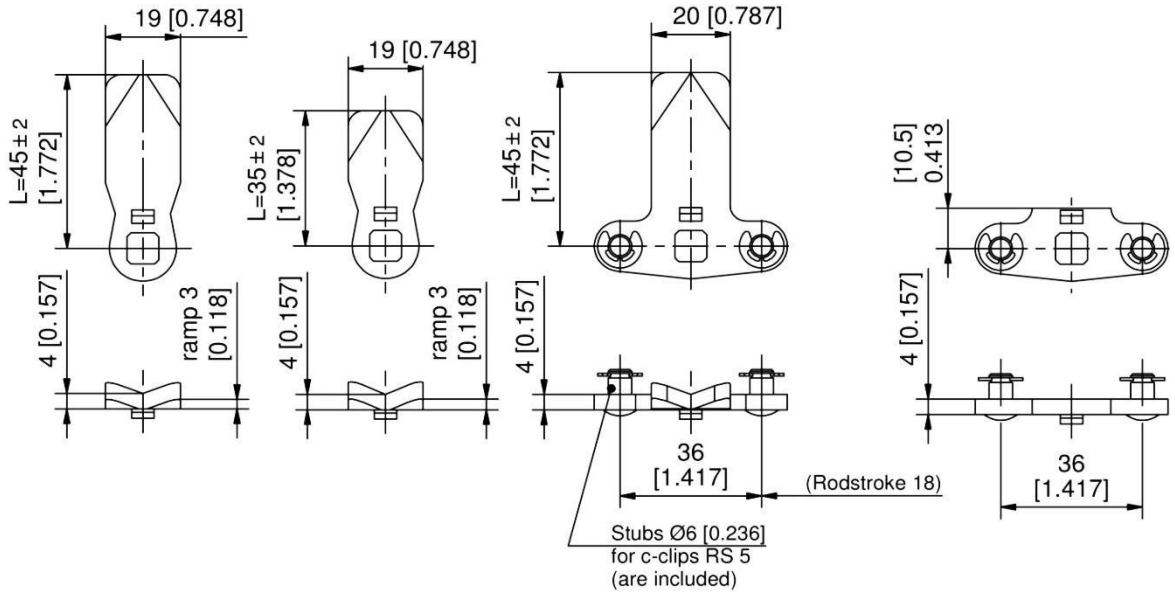
## H105 Cams

### Features

- Available in lengths of 35 mm or 45 mm

### Material

- Stainless steel 304



### L45 Cam

Part No.	H Dimension
C00-0506	6
C00-0508	8
C00-0510	10
C00-0514	14
C00-0516	16
C00-0518	18
C00-0520	20
C00-0522	22
C00-0524	24
C00-0526	26
C00-0528	28
C00-0532	32
C00-0542	42
C00-0550	50

### L35 Cam

Part No.	H Dimension
C00-4535-18	18 mm
C00-4535-20	20 mm
C00-4535-22	22 mm

### 3/4 Point Cam

Part No.	Version
C00-9845-22	Bending A20
C00-9845-28	Bending A26

### 2 Point Cam

Part No.
C00-9899